

Oakwood Community Church
11209 Casey Rd
Tampa FL 33618-5306
813.969.2303
www.oakwoodfl.org



ACORN

VBS 2017



June 5—9
6:30—8:30 PM

Free VBS at Oakwood this summer!
All kids Kindergarten through 5th grade are welcome!

Every kid is uniquely wired for one reason. They were wonderfully made in the image of God. The *GADGETS & GIZMOS* VBS is geared to capture a kids' imaginations about their Creator so they can discover how they are . . .

- MADE by God
- MADE for a relationship with Jesus
- and MADE to love others.

This summer, discover how the Creator of all things created us to know and love Him.

We're looking for a few moms and dads (and grandparents, too) to help out during this week. Contact Val Brand, Shannon Tremel or the Church office if you have interest in helping.

Registration begins this Sunday, April 30. Registration forms will be available at the TreeHouse Welcome Desk and the Information Center in the lobby.

Memory Verse: *Let your light shine so others can see it. Then they will see the good things you do. And they will bring glory to your Father who is in heaven.*
Matthew 5:16

The mission of Oakwood is to...

Transform ordinary people into fully devoted followers of Jesus Christ.

Oakwood is a member of the Evangelical Free Church of America.



Inside this issue:

Women's News	2
Oakwood Mill	2
Opps to Serve The World	3
PowerHouse News	4
Kids Page	5
Calendar	6

Attention Women

Women's Salad Luncheon

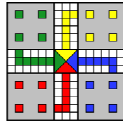
Sunday, April 30 (PLEASE NOTE DATE CHANGE) following the Worship Service in the Children's Ministry Building. Bring a salad to share!



Drop it off at the Information Desk in the morning if it needs refrigeration.

Gal's Grocery & Game Night

All women 18+ are invited on Saturday, May 20th from 7:00-9:00 PM in the Children's Education Building for a night of giving and gaming. Please bring nonperishable food items to help stock Naomi's Daughters food pantry. Grab a friend and be ready to compete with your sisters in Christ playing a variety of board games. Please RSVP on the back of your Connection Card on Sunday or via



A Note of Thanks

I thank my God every time I remember you. Philipians 1:3

Thank you Tom Raynor for your years of faithful "behind the scenes" service and your welcoming and caring of everyone who walks in the doors of OCC! You deserve kisses!



Our Daily Bread

The excellent daily devotional guide, *Our Daily Bread*, can help you experience the presence of God throughout your busy day by helping you focus your thoughts on Him.

Pick up your free copy from the Information Center in the lobby or you can download the App on your smart phone or tablet and get the devotional sent directly to you every day.



Oakwood Mill



The *Oakwood Mill* class entitled Oakwood 201 has concluded.

The class led by Guy Sas on The Book of Acts will continue through the spring session. This class meets in the Library (Room 102-104) in the Education Building. Feel free to join this class if you desire to continue attending a Sunday morning education class.

Oakwood Mill suspends classes during the summer.

Blood Pressure checks

Blood pressure checks on May 7 in the kitchen following the Worship Service. Don't miss this important health screening.



Prayer Chain Ministry

The purpose of Oakwood's **E-Prayer Connection** is to communicate prayer requests for our fellow Oakwood members, our families, friends, others personally known to us, and the ministries of our church.



If you would like to partner in prayer for the needs of our church family, send your full name and email address to ekrex@verizon.net with Prayer Chain Ministry in the subject line. You can also send prayer requests for the Prayer Chain to this same email address.

Prayer Focus

Our Prayer Team provides a guide for specific weekly prayer requests for our church family and missionaries we support. You will find the weekly Prayer Focus printed on the Announcement Sheet in your Worship Program.

Opportunities to *Serve The World*

Last month the Missions Team introduced us to ***Love Is Ministry—Tampa***, a ministry led by Jill Cariaga Collins (daughter of Jose & Maria Cariaga). We have an opportunity to participate in their 2017 Summer Refugee Youth Program.



An email from Jill states, “The refugee youth will be on summer break, which means we have an amazing opportunity to teach, mentor, develop relationships with, and disciple these children and youth. There are many needs that we see in the refugee youth and this program is designed to help meet those specific needs while incorporating all of the things they love: singing, friends, soccer, and food. Because we have such a large refugee youth community (around 75 of them), we decided to divide the kids and dedicate one day, Tuesday, to the 1st through 5th graders and the other day, Wednesday, to 6th-12th graders.”

“It is our mission to reach refugees in the Tampa area with the love of Jesus and it is also our mission to connect YOU (the body) to these beautiful people, providing a way for you to serve in a very meaningful way this summer through our summer program. The program will take place on every Tuesday and Wednesday of June and July, excluding Tuesday, July 4th at Global Community Church (very close to Big Top Flea Market off of Fowler and 75). Address: 11301 US HWY 301, Thonotosassa, FL 33592.”

If you are interested in more information or want to volunteer, contact Jill at jillc@loveisministry.org or 813-817-4278.

Naomi's Daughters is a ministry for single moms that provides clothing and food to the moms and their children. The Oakwood family, along with others in the community, provides donations of clothing, food and money to keep this ministry moving forward.



Current needs –Clothing and shoes for infants to adults; school supplies
Pantry needs: cereal, canned goods, rice, pasta, paper goods, personal care items, etc.

Donations can be left on the back porch of the gray house at the front of our property. Tax Deductible receipts are available.

Please pray that we can continue to reach people in this ministry and show the hands and feet of the Lord to those who come through our doors.

Financial Update

2017 Financial Update for March:		
	Actual	Budget
YTD Offerings Received	92,949	
YTD Expenses	106,307	114,384
Offerings Over/(Under) Exp	(13,358)	(21,435)

Online Giving. Did you know that you can make financial contributions to Oakwood through our website? You can give one time or set up for recurring donations. Visit www.oakwoodfl.org and click “Give Online” on the right side of the menu on the home page.



PowerHouse Schedule

May 7—Regular Evening Meeting

May 14—*Mother's Day*—No PowerHouse Meeting

May 21—Graduate Recognition, Food Bag Ministry & Haiti training, Slip-n-Slide Kickball

May 28—Regular Evening Meeting

June 4—Regular Evening Meeting

June 11—Food Bag Ministry & Haiti training, School's Out Party

Food Bag Ministry

Our PowerHouse students have a monthly fundraiser assembling food bags that are distributed to medical clinics in Tampa, Lakeland, Haines City and Winter Haven? These bags are distributed to indigent patients at the clinic to provide some basic food needs of the patients and their family.

PowerHouse teens can raise money for summer mission/conference trips by participating in our monthly Food Bag Ministry, typically on the second Sunday of each month. Our next Food Bag prep day is **Sunday, May 21** right after the Worship Service.

Teens can raise extra funds by helping shop for the food and/or helping with delivery of the food bags to the medical clinics. Shopping for the next fundraiser will be Friday, May 19. Meet at Aldi at Bearss & Florida Ave. at 5:00 PM (or contact Cam Whipple—813.265.9895) if you want to help. For more details on deliveries, contact Cindy Gianone at (813) 969-4136.



Youth Bake Sale



Please support our youth on **Sunday, April 30**, as they raise money for their upcoming ministry/missions trip to Haiti in July. We have 11 student and four adult leaders going on the trip.

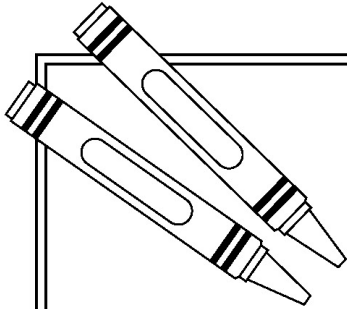
Tables will be set up after the Worship Service. Dessert before lunch! Bring your sweet tooth!!

Graduate Recognition



We would like to honor our graduates – whether from High School or College. Please loan us five or so pictures of your graduating student from infancy to graduation, what school they are graduating from, and information on their future plans. These will be part of a Graduation Recognition video presentation on May 21. Pictures are due in to Doug Cress no later than May 14. You may email digital photos to Doug-cress@outlook.com or put printed photos in the “Church Office” mail slot in the Worship Center kitchen.

Kids Corner



Just for KIDS

The true vine

In a vineyard, the vine gives life to the branches, which, in turn, produce the grapes. Follow the puzzle directions below to learn about our special relationship with Jesus, our true vine.

Directions: Circle every other letter and then write them in order on the lines below.

START ▶ ① b a s m L t r h g e c v d i e n f e g y h o i u j a K r

a v f F l i s s e u h t c T n s a R r q b p e o h n t M e L

w m x a y n Z r a e A m b a C i d n e s F i f n m m n e o a

e c b a l l r i q w f e o h b m m i l h k n j i j l i d Q n p

d a e r f m g u h c C h d f D r E u e i j t

“ I _____ ; _____

_____ . _____

_____ , _____

_____ ;

apart from me you can do nothing.”

J o h n 1 5 : 5 , N I V

Answer: “I am the vine; you are the branches. If a man remains in me and I in him, he will bear much fruit.”



Oakwood Community Church
 11209 Casey Rd
 Tampa FL 33618-5306
 813.969.2303
www.oakwoodfl.org

Our Vocation & Volunteer Staff

Interim Pastor—Larry Chute
 Director of Ministries & Coordinator of Children’s
 Ministry—Dave Dorsey
 Director of PowerHouse Ministry—Cam Whipple
 Office Manager—Martha Dorsey
 Secretary—Melanie Hoglievina

Our Elder Team

Mark Beale
 Edson Bustamante
 Larry Chute
 John Schneider
 Rob Weyand

Our Deacon Team

David Conner
 Dave DePagter
 David Fowle
 Larry Giannone
 Brian Johnson
 Mike Wyatt

Office hours:

Monday: 9:00 AM - 12:00 PM
 Tuesday - Friday, 9:00 AM - 5:00 PM

Education Classes:

Sundays—9:15 AM

Worship:

Sundays—10:30 AM

Calendar at a Glance



April 30—Fifth Sunday—Youth Lead Worship
 Youth Bake Sale
 Women’s Salad Luncheon



May 7—Communion during Worship
 Blood Pressure checks following Worship
 May 8—Elder Team Meeting
 May 9—Missions Team Meeting
 May 10—Pastoral Search Team Meeting
 May 14—*Mother’s Day*
 Deacon Team Meeting
 Oakwood Cares Team Meeting
 May 20—Gal’s Grocery & Game Night

The Oakwood ACORN is a bi-weekly E-newsletter from Oakwood Community Church, published to keep our church family and friends informed about events and people at Oakwood. Articles may be submitted via e-mail to Office@oakwoodfl.org. Article deadlines and publication schedule is:

Deadline	Publication date	News for dates including...
May 5	May 10	May 13—May 26
May 19	May 24	May 27—June 9

Missed a Sunday message? Listen online @ www.oakwoodfl.org/messages/