



ACORN

Oakwood TreeHouse Children's Ministry Presents:



Sunday December 10, 2017
10:30 AM

This program will include children Kindergarten through 6th Grade, plus our 2-4 year old class will close the program with a song.

Invite your family and friends to join us.

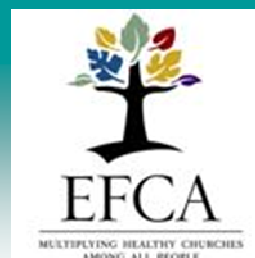
Parents: Please note that children need to be at Oakwood for a dress rehearsal on Saturday, December 9, at 9:00 AM. Pre-school children should be here at 10:20 AM.

Oakwood Community Church
11209 Casey Rd
Tampa FL 33618-5306
813.969.2303
www.oakwoodfl.org

The mission of
Oakwood is to...

Transform ordinary people
into fully devoted followers
of Jesus Christ.

Oakwood is a member of
the Evangelical Free
Church of America.



Inside this issue:

Potluck & Cong Meeting	2
Discovering Oakwood	2
Movie Night	3
Missions Update	4
PowerHouse News	5
Kids Page	6
Calendar	7

Women's Ornament Exchange

All women are invited to join us for an evening of fun and fellowship on Friday, December 1, from 7:00 – 9:00 PM in the Tree-House building.



Bring a wrapped ornament or Christmas décor item to exchange and hygiene items (shampoo, conditioner, body wash, deodorant, feminine products, etc.) for donation to Naomi's Daughters, our ministry to single moms.

Potluck & Congregational Meeting

The Oakwood family is encouraged to join us on Sunday, December 3 at 5:30 PM for a Potluck Dinner.



Those families with the last name beginning in A-L, please bring a large covered dish and a dessert. Those families with the last name beginning in M-Z, please bring a large covered dish and a vegetable or salad. Singles may bring one main item.

Following the Potluck, we will have our Annual Meeting at 6:30 PM, with business including receiving new members and the presentation of the 2018 Proposed Budget.

Because there were no sign-ups, there will not be childcare provided.

Family Christmas Bonfire

As has been our tradition, we will have a **Family Christmas Bonfire** on Saturday, December 23 at 6:00 PM. Watch for details on this service.



Discovering Oakwood

**OAKWOOD MILL
SUNDAYS
DECEMBER 3, 10 & 17
9:15 – 10:15 AM**

Whether you are new to Oakwood or a founding member, please join us for this three week overview of the developing vision, philosophy and strategy Pastor Darin is refining with the elders. Moving forward this class will be required for all new member applicants. But it will also be helpful for long time members so we can unify around a shared vision to glorify God and make disciples of all nations. Please join us to hear from Pastor Darin and the elders and discuss this developing vision and plan.

Join us in PowerHouse as we explore:

December 3 – History & Values of Oakwood

December 10 – Gospel & Theology

December 17 – Vision & Strategy

This will be the only Adult Education Class during December. Classes for Children and Youth will be available during this hour as well.

Holiday Schedule

December 23—Family Christmas Bonfire

December 24—No Education Classes @ 9:15 AM

Family Worship at 10:30 AM. Childcare for children birth through 4 years old

December 31—One Adult Education Class and classes for children and youth will be available

Family Worship at 10:30 AM. Childcare for children birth through 4 years old

January 7—Regular schedule resumes with Education Classes at 9:15 AM, Worship and TreeHouse Ministry at 10:30 AM

Blood Pressure checks

Blood pressure checks on December 3 the kitchen following the Worship Service. Don't miss this important health screening.



Movie Night

The Oakwood Cares Team is sponsoring a Movie Night at Oakwood on Friday, December 15 @ 7:00 PM. The movie being shown is *Courageous*. There will also be a movie available for elementary age children. Watch for more details.



Attention Women

There will be a LIVE Simulcast featuring Priscilla Shirer in person at Idlewild Baptist Church on Saturday, April 28, 2018. Early bird tickets are \$59 for groups of 10+ See Sandy Wyatt by January 15th to register.

Financial Update

Oakwood 2017 Financial Update through October		
	Actual	Budget
YTD Offerings Received	352,513	
YTD Expenses	365,873	386,021
Offerings Over/(Under) Exp	(13,360)	(33,508)

Year End Giving

Just a reminder...

To be credited by the IRS for a 2017 tax deduction, all year end gifts must be received or postmarked no later than December 31, 2017. Praise God for our partnership in the ministry of Oakwood! Praise God for gifts given in faith, joy and Love!



Holiday Office Hours



Due to the holidays and staff vacations, the Church Office hours between Christmas and New Year's are limited. If you need to come to the office, please call before you come to make sure someone will be there.

Opportunity to Serve the World

Naomi's Daughters is a ministry for single moms that provides clothing and food to the moms and their children. The Oakwood family, along with others in the community, provides donations of clothing, food and money to keep this ministry moving forward.



Naomi's

Daughters



Current needs –Clothing and shoes for infants to adults; school supplies

Pantry needs: cereal, canned goods, rice, pasta, paper goods, personal care items, etc.

Donations can be left on the back porch of the gray house at the front of our property. Tax Deductible receipts are available.

Please pray that we can continue to reach people in this ministry and show the hands and feet of the Lord to those who come through our doors.

Note of Thanks

With all our thanks for your thoughtfulness—We really appreciate it! From the women of Naomi's Daughters, our ministry to single moms.

Do you order from Amazon?

Your orders can benefit Oakwood by shopping through AmazonSmile. Just go to <https://smile.amazon.com/ch/59-2436827>, place your order, and 0.5% of your qualifying purchase will be donated to Oakwood through the AmazonSmile Foundation.



Missions Update

Update from Gerry and Sharon Pruden—October 2017

Our ministry and personal news - Praise that neither BBI nor any staff homes had significant damage from Hurricane Irma. Praise for a our family and our church family that helped us board up the house, and take them down, supply a generator to save our food, and general cleanup of a yard full of other peoples branches.

Praise that Gerry is recovering well from his back surgery in August. He has another two weeks of wearing a brace when up and around. His project of getting Eugene Priddy's *"Exploring the Book of Revelation"* into E-book format is moving along. Pray for him in regard to getting the maps and charts converted so they stay with the appropriate text. Anyone interested in a good, clear basic doctrine book Gerry has already converted *"Keep from Stumbling."* It is listed on Amazon in paper back and for Kindle. It is already been used for study material in some of the Oak-wood's small groups.

Praise Sharon's back is holding up well after some special treatments. She is still involved with the accounting in consulting and oversight. There is more than enough to keep her busy in addition to the accounting. She is the only "secretarial" staff to help with that work for the president and vice-president. There are several staff support duties that she continues to do, plus whatever comes up that she can help with getting done.

Thank you for your faithful prayers and support.

Update from Dave & Jen Cox

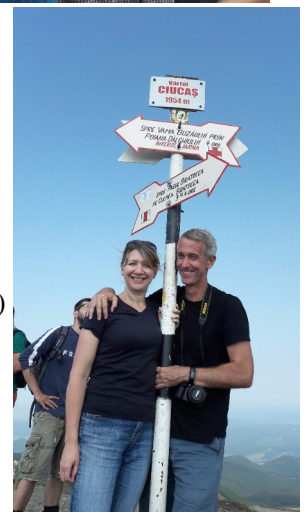
I came home full of joy from last night's Arab/Turk/Iranian Bible study. First of all, Genghis, a Turkish friend is now a follower of Jesus. He's been at the study for the last 6 months and slowly opened His heart to the Gospel. Second, the Iranian man who was baptized in September gave me a ride home and told me that his Romanian wife is a new person. He can't believe the change in her. She is now a believer as well! She saw how different Elvin was after Christ came into his life and over time her harsh attitudes softened and her heart opened up. Pray for Genghis and Geanina (Elvin's wife) to walk in the power of the Holy Spirit as He gives them assurance that they are truly His.

Pray also for Jorge (with the beard) and me as we lead three weekend Disciple-making courses this month. The last one (Nov 30-Dec 3) will include a group of potential Disciple-making champions. These are ten or so people we've know for some time who we believe can light fires of revival in Romania. One of these is Razvan, with Jorge and me in this photo:



Joel survived his 40-Day trek through the Himalayas and is flying back to the US as I write. Thanks for praying for him!

We climb more modest mountains :-)



Much love!
Dave and Jen



PowerHouse Schedule

- Dec 1-3—Winter Camping Retreat
- Dec 10—Food Bags & A Christmas Project
- Dec 17—Christmas Party
- Dec 24—No Youth Group meeting—spend Christmas Eve with your family
- Dec 29—Youth Lock-In—Knocker Ball
- Dec 31—No Youth Group meeting—Spend New Year’s Eve with your family

Challenge 2018

- What:** *Challenge* - the biennial Youth Conference of the EFCA
- When:** Conference—July 2-6, 2018
Trip—June 29—July 7
- Where:** Kansas City, MO
- Who:** Middle & High School students

See Cam Whipple for a brochure on the Conference. You can raise funds for the trip by participating in the monthly Food Bag Ministry. Got questions? Contact Cam Whipple.



Winter Lock-In

- Who:** All Middle & High School students
- When:** December 29—7:00 PM—
December 30—7:00 AM
- What:** Lots of fun including Knocker-ball



Bring money for the snack bar

Food Bag Ministry

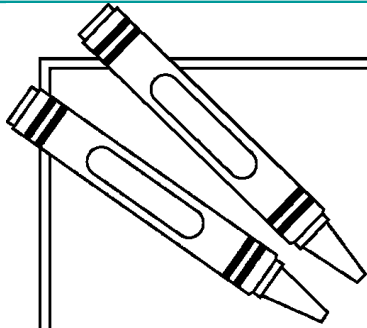
Our PowerHouse students have a monthly fundraiser assembling food bags that are distributed to medical clinics in Tampa, Lakeland, Haines City and Winter Haven and Jacksonville. These bags are distributed to indigent patients at the clinic to provide some basic food needs of the patients and their family.

PowerHouse teens can raise money for summer mission/conference trips by participating in our monthly Food Bag Ministry, typically on the second Sunday of each month. Our next Food Bag prep day is **Sunday, December 10** right after the Worship Service.



Teens can raise extra funds by helping shop for the food and/or helping with delivery of the food bags to the medical clinics. Shopping for the next fundraiser will be Friday, December 8. Meet at Aldi at Bearss & Florida Ave. at 5:00 PM (or contact Cam Whipple—813.265.9895) if you want to help. For more details on deliveries, contact Cindy Giannone at (813) 969-4136.

Kids Corner



Just for KIDS

Luke 2:1-20

In Luke 2:1-20, we read the familiar story of Jesus' birth. The scrambled words and names in the list below are a part of that story. Unscramble them and circle them in the puzzle.

You will find them → ↓ ↗ ← ↑ ↘

- | | | |
|---------------|-----------------|-----------------|
| eaCrsa _____ | aMyr _____ | zaNhtare _____ |
| gnamre _____ | opesJh _____ | uutuAsgs _____ |
| laiGele _____ | auedJ _____ | rephsehds _____ |
| nso _____ | csenus _____ | teeBhhelm _____ |
| hritb _____ | ilfedS _____ | enagl _____ |
| adfari _____ | daviD _____ | tginh _____ |
| oylgr _____ | oyj _____ | robn _____ |
| athre _____ | isbotrfrn _____ | ecrdee _____ |
| eecpa _____ | nin _____ | |



B C A E S A R M E A R T H
 D E C R E E E Y R U A G B
 F N T R B I R T H G F A O
 I S Y H S O N N I U R L R
 R U O Y L E G N A S A I N
 S S J G P E A C E T I L M
 T J O S E P H C J U D E A
 B S D R E H P E H S A E N
 O M A R Y H R I M S V T G
 R F I E L D S T H G I N E
 N A Z A R E T H M A D S R



There will be 14 uncircled letters. Write them in order from top to bottom on the lines. They will spell a special message to you.



Oakwood Community Church
 11209 Casey Rd
 Tampa FL 33618-5306
 813.969.2303
www.oakwoodfl.org

Our Vocation & Volunteer Staff

Lead Pastor—Darin Anderson
 Director of Ministries & Coordinator of Children’s
 Ministry—Dave Dorsey
 Director of PowerHouse Ministry—Cam Whipple
 Office Manager—Martha Dorsey
 Secretary—Melanie Hoglievina

Our Elder Team

Darin Anderson
 Mark Beale
 Edson Bustamante
 John Schneider
 Rob Weyand

Our Deacon Team

David Conner
 Dave DePagter
 David Fowle
 Larry Giannone
 Brian Johnson
 Mike Wyatt

Office hours:

Monday: 9:00 AM - 12:00 PM
 Tuesday - Friday, 9:00 AM - 5:00 PM

Education Classes :

Sundays - 9:15 AM

Worship:

Sundays—10:30 AM

Calendar at a Glance



Dec 1—Women’s Ornament Exchange
 Dec 1-3—PowerHouse Camping Retreat
 Dec 3—*Discovering Oakwood* class begins
 Communion during Worship
 Blood Pressure checks following Worship
 Potluck & Congregational Meeting
 Dec 8—PH food shopping & hangout night
 Dec 9—Children’s Musical Dress Rehearsal
 Dec 10—Children’s Christmas Musical
 Deacon Team Meeting
 Oakwood Cares Team Meeting
 PowerHouse Food Bag Ministry

Dec 11—Elder Team Meeting
 Dec 15—Movie Night
 Dec 17—Compassion Offering
 Dec 18—Elder & Deacon Team Meet
 Dec 23—Christmas Bonfire Service
 Dec 24—No Education Classes
 Family Worship Service
 Dec 25—Christmas Day
 Dec 29-30—PowerHouse Lock-In
 Dec 31—Education Classes
 Family Worship Service

The Oakwood *ACORN* is a monthly E-newsletter from Oakwood Community Church, published to keep our church family and friends informed about events and people at Oakwood. Articles may be submitted via e-mail to Office@oakwoodfl.org. Article deadlines and publication schedule is:

Deadline	For events during...
Dec 18	January 2018
Jan 21	February 2018

Missed a Sunday message? Listen online @ www.oakwoodfl.org/messages/